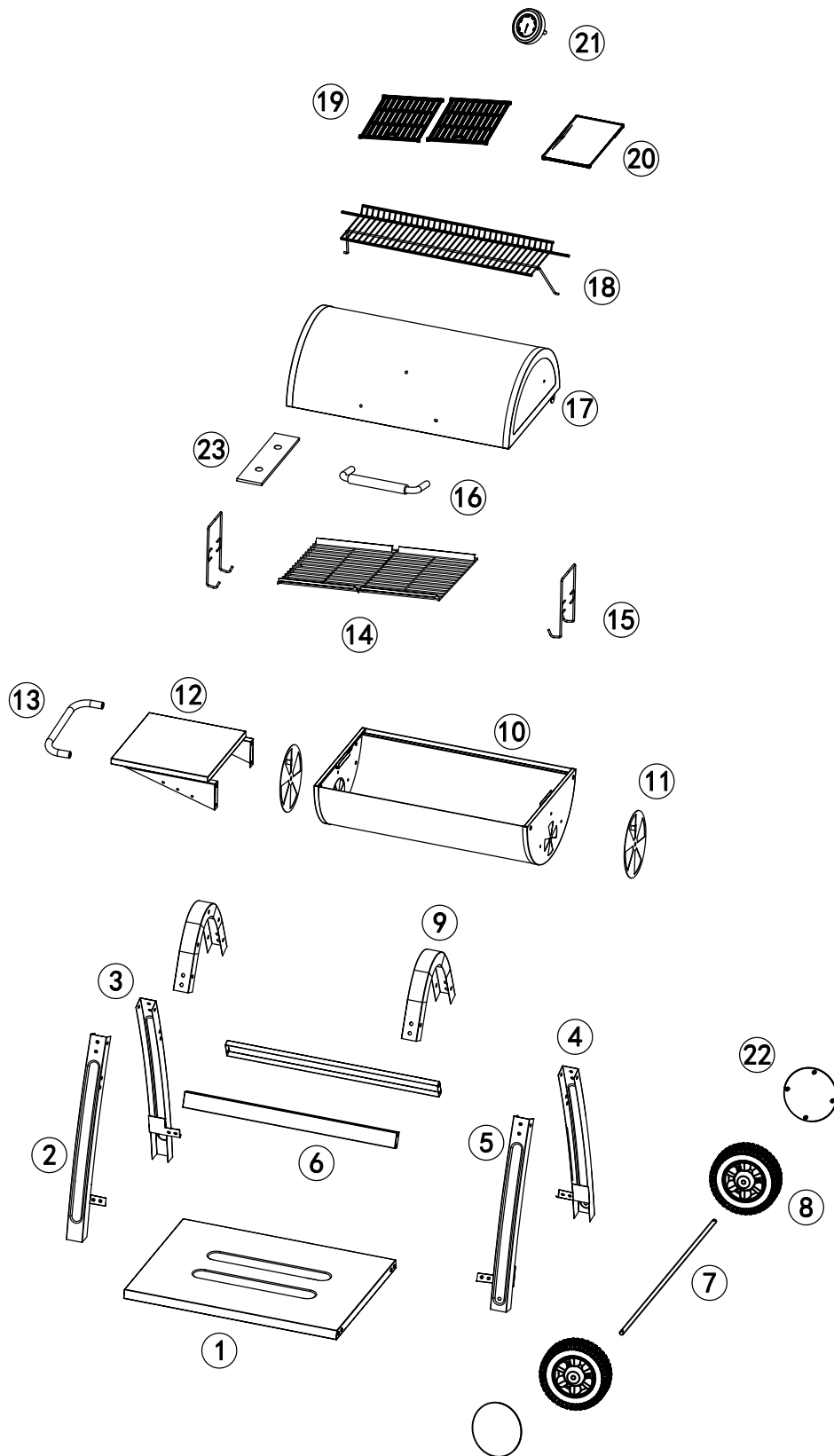









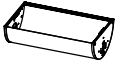

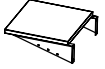




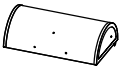












 <p><b>50min</b></p>
---	--	---



① *1 	② *1 (LF) 	③ *1 (LB) 
④ *1 (RB) 	⑤ *1 (RF) 	⑥ *2 
⑦ *1 	⑧ *2 	⑨ *2 
⑩ *1 	⑪ *2 	⑫ *1 
⑬ *1 	⑭ *1 	⑮ *2 
⑯ *1 	⑰ *1 	⑱ *1 
⑲ *2 	⑳ *1 	㉑ *1 
㉒ *2 	㉓ *1 	
A M6-14*48 	B $\phi 1.2 * 21 * 2$ 	C *2 
D M6*16 	E M6*2 	F $\phi 1.5 * 28 * 2$ 

### 1

D		8PCS
A		8PCS

### 2

A		16PCS
---	--	-------

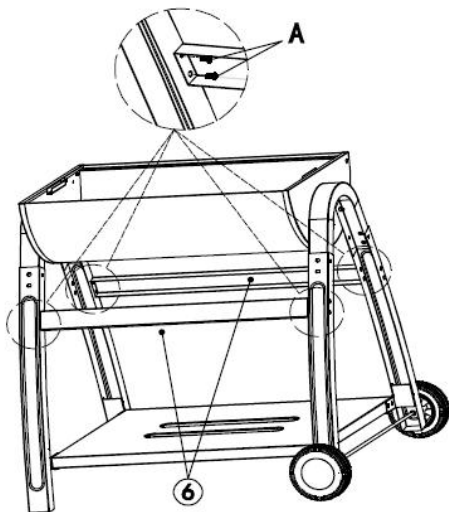
### 3

C		2PCS
F		2PCS

### 4

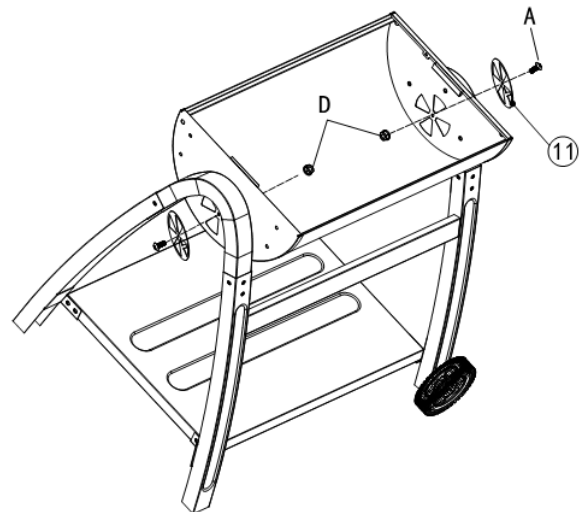
D		6PCS
A		6PCS

**5**



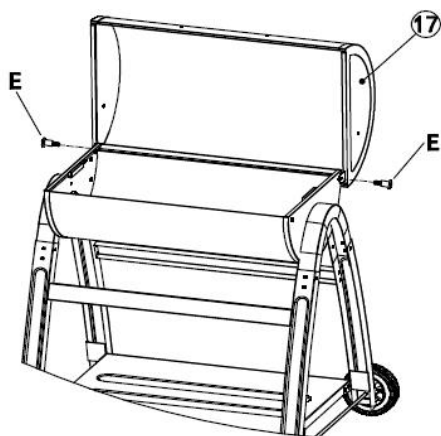
A		8PCS
---	--	------

**6**



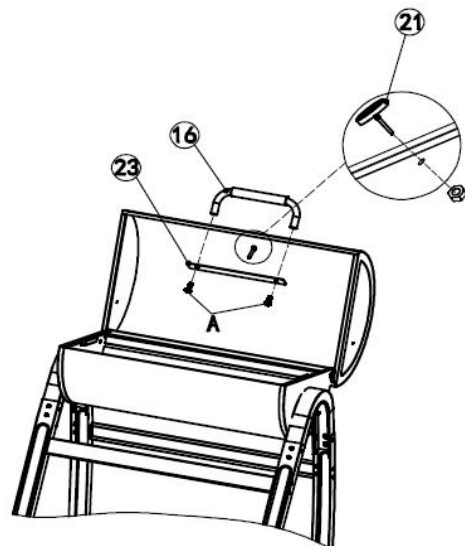
D		2PCS
A		2PCS

**7**



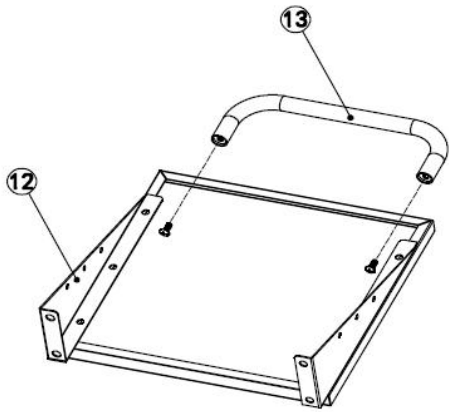
E		2PCS
---	--	------

**8**



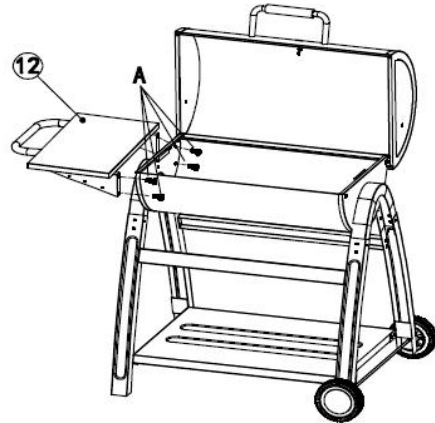
A		2PCS
---	--	------

9



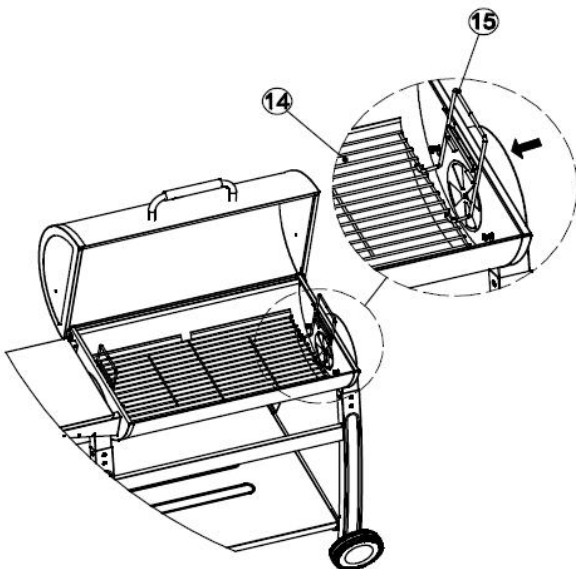
A  2PCS

10

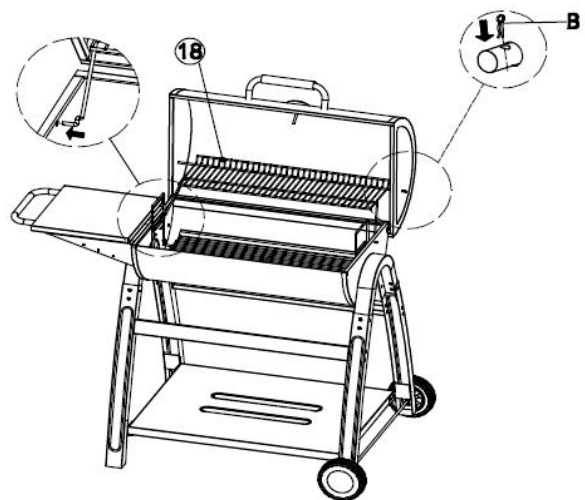


A  4PCS

11



12



B  2PCS

